

11-09-00

A

11/07/00  
1c939 U.S. PTO

# UTILITY PATENT APPLICATION TRANSMITTAL

Attorney Docket No.	FPC3 (6208.tba)
First Inventor or Application Identifier	GILMER, Patti C.
Title	FLOTATION SWIMSUIT AND METHOD FOR CONSTRUCTION THEREOF
Express Mail Label No. EL	597577455US

1c914 U.S. PTO  
09/708309  
11/07/00

**APPLICATION ELEMENTS**  
See MPEP chapter 600 concerning utility patent application contents

ADDRESS TO:  
**Assistant Commissioner for Patents  
Box Patent Application  
Washington, DC 20221**

- Fee Transmittal Form (e.g., PTO/SB/17)  
(Submit an original and a duplicate for fee processing)
- Applicant claims Small Entity Status  
See 37 C.F.R. 1.27
- Specification [Total Pages 23]  
(preferred arrangement set forth below)
  - Descriptive title of the Invention
  - Cross References to Related Applications
  - Statement Regarding Fed. Sponsored R & D
  - Reference to Microfiche Appendix
  - Background of the Invention
  - Brief Summary of the Invention
  - Brief Description of the Drawings (if filed)
  - Detailed Description
  - Claim(s)
  - Abstract of the Disclosure
- Drawing(s) (35 U.S.C. 113) [Total Sheets 11]
- Oath or Declaration [Total Pages 1]
  - Newly executed (original or copy)
  - Copy from a prior application (37 C.F.R. § 1.63(d)  
(for continuation/divisional with Box 16 completed)
    - DELETION OF INVENTOR(S)**  
Signed statement attached deleting inventor(s) named in the prior application, see 37 C.F.R. §§ 1.63(d)(2) and 1.33(b)

- Microfiche Computer Program (Appendix)
- Nucleotide and/or Amino Acid Sequence Submission (if application, all necessary)
  - Computer Readable Copy
  - Paper copy (identical to computer copy)
  - Statement verifying identity of above copies

### ACCOMPANYING APPLICATION PARTS

- Assignment Papers (cover sheets & documents)
- 37 C.F.R. § 3.73(b) Statement  Power of Attorney  
(when there is an assignee)
- English Translation Document (if applicable)
- Information Disclosure Statement (IDS)/PTO-1449  Copies of IDS Citations
- Preliminary Amendment
- Return Receipt Postcard (MPEP 503)  
Should be specifically itemized  
\* Small Entity
- Statement(s)  Statement filed in prior application (PTO/SB/09-12) Status still proper and desired
- Certified Copy of Priority Document(s) (if foreign priority is claimed)
- Other: \_\_\_\_\_

\*NOTE FOR ITEMS 1 & 13: IN ORDER TO BE ENTITLED TO PAY SMALL ENTITY STATEMENT IS REQUIRED (37 C.F.R. § 1.27), EXCEPT IF ONE FILED IN A PRIOR APPLICATION IS RELIED UPON (37 C.F.R. § 1.29).

17. If a CONTINUING APPLICATION, check appropriate box, and supply the requisite information below and in a preliminary amendment.

Continuation  Divisional  Continuation-in-part (CIP) of prior application No. \_\_\_\_ / \_\_\_\_  
Group/Art Unit: \_\_\_\_


Prior application information: Examiner \_\_\_\_\_

FOR CONTINUATION or DIVISIONAL APPS only: The entire disclosure of the prior application, from which an oath or declaration is supplied under Box 4b, is considered a part of the disclosure of the accompanying continuation or divisional application and is hereby incorporated by reference. The incorporation can only be relied upon when a portion has been inadvertently omitted from the submitted application parts.

### 18. CORRESPONDENCE ADDRESS

Customer Number or Bar Code Label (Insert Customer No. or Attach bar code label here) or  Correspondence address below

Name	Kenneth Southall				
Address	Troutman Sanders LLP, 600 Peachtree Street, NE, Suite 5200				
City	Atlanta	State	GA	Zip Code	30308
Country	U.S.A.	Telephone	404-885 3290	Fax	404-962-6833

Name (Print/Type)	Roger S. Williams	Registration No. (Attorney/Agent)	43,273
Signature		Date	November 7, 2000

Under the Paperwork Reduction Act of 1995, no persons are required to respond to a collection of information unless it displays a valid OMB control number.

<h2 style="margin: 0;">FEE TRANSMITTAL</h2> <h3 style="margin: 0;">for FY 2000</h3> <p style="margin: 5px 0;"><i>Patent fees are subject to annual revision.</i></p> <p style="margin: 5px 0;"><i>Small Entity payments <u>must</u> be supported by a small entity statement, otherwise large entity fees must be paid. See Forms PTO/SB/10-12.</i></p>	<p><b>Complete if Known</b></p> <table border="1" style="width: 100%; border-collapse: collapse;"> <tr> <td style="width: 50%;">Application Number</td> <td></td> </tr> <tr> <td>Filing Date</td> <td>Herewith</td> </tr> <tr> <td>First Named Inventor</td> <td>GILMER, Patti C.</td> </tr> <tr> <td>Examiner Name</td> <td></td> </tr> <tr> <td>Group / Art Unit</td> <td></td> </tr> <tr> <td>Attorney Docket No.</td> <td>FPC3 (6208.tba)</td> </tr> </table>	Application Number		Filing Date	Herewith	First Named Inventor	GILMER, Patti C.	Examiner Name		Group / Art Unit		Attorney Docket No.	FPC3 (6208.tba)
Application Number													
Filing Date	Herewith												
First Named Inventor	GILMER, Patti C.												
Examiner Name													
Group / Art Unit													
Attorney Docket No.	FPC3 (6208.tba)												
<p><b>TOTAL AMOUNT OF PAYMENT</b>    (\$)<b> 435.00</b></p>													

METHOD OF PAYMENT (check one)	FEE CALCULATION (continued)																																																																																																																																																																																				
<p>1. <input type="checkbox"/> The Commissioner is hereby authorized to change indicated fees and credit any over payments to:</p> <p>Deposit Account Number: <span style="border: 1px solid black; padding: 2px;">20-1507</span></p> <p>Deposit Account Name: <span style="border: 1px solid black; padding: 2px;"> </span></p> <p><input type="checkbox"/> Charge Any Additional Fee Required Under 37 CFR 1.16 and 1.17</p> <p>2. <input checked="" type="checkbox"/> <b>Payment Enclosed:</b></p> <p><input checked="" type="checkbox"/> Check      <input type="checkbox"/> Money Order      <input type="checkbox"/> Other</p>	<p><b>3. ADDITIONAL FEES</b></p> <table border="1" style="width: 100%; border-collapse: collapse;"> <thead> <tr> <th>Large Fee Code</th> <th>Entity Fee (\$)</th> <th>Small Fee Code</th> <th>Entity Fee (\$)</th> <th>Fee Description</th> <th>Fee Paid</th> </tr> </thead> <tbody> <tr><td>105</td><td>130</td><td>205</td><td>65</td><td>Surcharge - late filing fee or cash</td><td></td></tr> <tr><td>127</td><td>50</td><td>227</td><td>25</td><td>Surcharge - late provisional filing fee or cover sheet</td><td></td></tr> <tr><td>139</td><td>130</td><td>139</td><td>130</td><td>Non-English specification</td><td></td></tr> <tr><td>147</td><td>2,520</td><td>147</td><td>2,520</td><td>For filing a request for reexamination</td><td></td></tr> <tr><td>112</td><td>920*</td><td>112</td><td>900*</td><td>Requesting publication of SIR after Examiner action</td><td></td></tr> <tr><td>113</td><td>1,840*</td><td>113</td><td>1,840*</td><td>Requesting publication of SIR after Examiner action</td><td></td></tr> <tr><td>115</td><td>110</td><td>215</td><td>55</td><td>Extension for reply within first month</td><td></td></tr> <tr><td>116</td><td>390</td><td>216</td><td>195</td><td>Extension for reply within second month</td><td></td></tr> <tr><td>117</td><td>890</td><td>217</td><td>445</td><td>Extension for reply within third month</td><td></td></tr> <tr><td>118</td><td>1390</td><td>218</td><td>695</td><td>Extension for reply within fourth month</td><td></td></tr> <tr><td>128</td><td>1890</td><td>228</td><td>945</td><td>Extension for reply within fifth month</td><td></td></tr> <tr><td>119</td><td>310</td><td>219</td><td>155</td><td>Notice of Appeal</td><td></td></tr> <tr><td>120</td><td>310</td><td>220</td><td>155</td><td>Filing a brief in support of an appeal</td><td></td></tr> <tr><td>121</td><td>270</td><td>221</td><td>135</td><td>Request for oral hearing</td><td></td></tr> <tr><td>138</td><td>1,510</td><td>138</td><td>1,510</td><td>Petition to institute a public use proceeding</td><td></td></tr> <tr><td>140</td><td>110</td><td>240</td><td>55</td><td>Petition to revive - unavoidable</td><td></td></tr> <tr><td>141</td><td>1240</td><td>241</td><td>620</td><td>Petition to revive - unintentional</td><td></td></tr> <tr><td>142</td><td>1240</td><td>242</td><td>620</td><td>Utility issue fee (or reissue)</td><td></td></tr> <tr><td>143</td><td>440</td><td>243</td><td>220</td><td>Design issue fee</td><td></td></tr> <tr><td>144</td><td>600</td><td>244</td><td>300</td><td>Plant issue fee</td><td></td></tr> <tr><td>122</td><td>130</td><td>122</td><td>130</td><td>Petitions to the Commissioner</td><td></td></tr> <tr><td>123</td><td>50</td><td>123</td><td>50</td><td>Petitions related to provisional applications</td><td></td></tr> <tr><td>126</td><td>240</td><td>126</td><td>240</td><td>Submission of Information Disclosure Stmt</td><td></td></tr> <tr><td>581</td><td>40</td><td>581</td><td>40</td><td>Recording each patent assignment per property (times number of properties)</td><td></td></tr> <tr><td>146</td><td>710</td><td>246</td><td>355</td><td>Filing a submission after final rejection (37 CFR 1.129(a))</td><td></td></tr> <tr><td>149</td><td>710</td><td>249</td><td>355</td><td>For each additional invention to be examined (37 CFR 1.129(b))</td><td></td></tr> <tr><td colspan="5">Other fee (specify) _____</td><td></td></tr> <tr><td colspan="5">Other fee (specify) _____</td><td></td></tr> <tr> <td colspan="5" style="text-align: right;">* Reduced by Basic Filing Fee Paid</td> <td style="text-align: right;"> <p><b>SUBTOTAL (3)</b>    (\$)<span style="border: 1px solid black; padding: 2px;"> </span></p> </td> </tr> </tbody> </table>	Large Fee Code	Entity Fee (\$)	Small Fee Code	Entity Fee (\$)	Fee Description	Fee Paid	105	130	205	65	Surcharge - late filing fee or cash		127	50	227	25	Surcharge - late provisional filing fee or cover sheet		139	130	139	130	Non-English specification		147	2,520	147	2,520	For filing a request for reexamination		112	920*	112	900*	Requesting publication of SIR after Examiner action		113	1,840*	113	1,840*	Requesting publication of SIR after Examiner action		115	110	215	55	Extension for reply within first month		116	390	216	195	Extension for reply within second month		117	890	217	445	Extension for reply within third month		118	1390	218	695	Extension for reply within fourth month		128	1890	228	945	Extension for reply within fifth month		119	310	219	155	Notice of Appeal		120	310	220	155	Filing a brief in support of an appeal		121	270	221	135	Request for oral hearing		138	1,510	138	1,510	Petition to institute a public use proceeding		140	110	240	55	Petition to revive - unavoidable		141	1240	241	620	Petition to revive - unintentional		142	1240	242	620	Utility issue fee (or reissue)		143	440	243	220	Design issue fee		144	600	244	300	Plant issue fee		122	130	122	130	Petitions to the Commissioner		123	50	123	50	Petitions related to provisional applications		126	240	126	240	Submission of Information Disclosure Stmt		581	40	581	40	Recording each patent assignment per property (times number of properties)		146	710	246	355	Filing a submission after final rejection (37 CFR 1.129(a))		149	710	249	355	For each additional invention to be examined (37 CFR 1.129(b))		Other fee (specify) _____						Other fee (specify) _____						* Reduced by Basic Filing Fee Paid					<p><b>SUBTOTAL (3)</b>    (\$)<span style="border: 1px solid black; padding: 2px;"> </span></p>
Large Fee Code	Entity Fee (\$)	Small Fee Code	Entity Fee (\$)	Fee Description	Fee Paid																																																																																																																																																																																
105	130	205	65	Surcharge - late filing fee or cash																																																																																																																																																																																	
127	50	227	25	Surcharge - late provisional filing fee or cover sheet																																																																																																																																																																																	
139	130	139	130	Non-English specification																																																																																																																																																																																	
147	2,520	147	2,520	For filing a request for reexamination																																																																																																																																																																																	
112	920*	112	900*	Requesting publication of SIR after Examiner action																																																																																																																																																																																	
113	1,840*	113	1,840*	Requesting publication of SIR after Examiner action																																																																																																																																																																																	
115	110	215	55	Extension for reply within first month																																																																																																																																																																																	
116	390	216	195	Extension for reply within second month																																																																																																																																																																																	
117	890	217	445	Extension for reply within third month																																																																																																																																																																																	
118	1390	218	695	Extension for reply within fourth month																																																																																																																																																																																	
128	1890	228	945	Extension for reply within fifth month																																																																																																																																																																																	
119	310	219	155	Notice of Appeal																																																																																																																																																																																	
120	310	220	155	Filing a brief in support of an appeal																																																																																																																																																																																	
121	270	221	135	Request for oral hearing																																																																																																																																																																																	
138	1,510	138	1,510	Petition to institute a public use proceeding																																																																																																																																																																																	
140	110	240	55	Petition to revive - unavoidable																																																																																																																																																																																	
141	1240	241	620	Petition to revive - unintentional																																																																																																																																																																																	
142	1240	242	620	Utility issue fee (or reissue)																																																																																																																																																																																	
143	440	243	220	Design issue fee																																																																																																																																																																																	
144	600	244	300	Plant issue fee																																																																																																																																																																																	
122	130	122	130	Petitions to the Commissioner																																																																																																																																																																																	
123	50	123	50	Petitions related to provisional applications																																																																																																																																																																																	
126	240	126	240	Submission of Information Disclosure Stmt																																																																																																																																																																																	
581	40	581	40	Recording each patent assignment per property (times number of properties)																																																																																																																																																																																	
146	710	246	355	Filing a submission after final rejection (37 CFR 1.129(a))																																																																																																																																																																																	
149	710	249	355	For each additional invention to be examined (37 CFR 1.129(b))																																																																																																																																																																																	
Other fee (specify) _____																																																																																																																																																																																					
Other fee (specify) _____																																																																																																																																																																																					
* Reduced by Basic Filing Fee Paid					<p><b>SUBTOTAL (3)</b>    (\$)<span style="border: 1px solid black; padding: 2px;"> </span></p>																																																																																																																																																																																
<p><b>1. BASIC FILING FEE</b></p> <table border="1" style="width: 100%; border-collapse: collapse;"> <thead> <tr> <th>Large Fee Code</th> <th>Entity Fee (\$)</th> <th>Small Fee Code</th> <th>Entity Fee (\$)</th> <th>Fee Description</th> <th>Fee Paid</th> </tr> </thead> <tbody> <tr><td>101</td><td>710</td><td>201</td><td>355</td><td>Utility filing fee</td><td style="border: 1px solid black; text-align: center;">355</td></tr> <tr><td>106</td><td>320</td><td>206</td><td>160</td><td>Design filing fee</td><td style="border: 1px solid black; text-align: center;"> </td></tr> <tr><td>107</td><td>490</td><td>207</td><td>245</td><td>Plant filing fee</td><td style="border: 1px solid black; text-align: center;"> </td></tr> <tr><td>108</td><td>710</td><td>208</td><td>355</td><td>Reissue filing fee</td><td style="border: 1px solid black; text-align: center;"> </td></tr> <tr><td>114</td><td>150</td><td>214</td><td>75</td><td>Provisional filing fee</td><td style="border: 1px solid black; text-align: center;"> </td></tr> <tr> <td colspan="5" style="text-align: right;"><b>SUBTOTAL (1)</b>    (\$)</td> <td style="border: 1px solid black; text-align: center;">355</td> </tr> </tbody> </table> <p><b>2. EXTRA CLAIM FEES</b></p> <table border="1" style="width: 100%; border-collapse: collapse;"> <thead> <tr> <th>Total Claims</th> <th>Independent Claims</th> <th>Multiple Dependent</th> <th>Extra Claims</th> <th>Fee from below</th> <th>Fee Paid</th> </tr> </thead> <tbody> <tr> <td style="border: 1px solid black; text-align: center;">14</td> <td style="border: 1px solid black; text-align: center;">5</td> <td></td> <td style="border: 1px solid black; text-align: center;">- 20* = 0</td> <td style="border: 1px solid black; text-align: center;">X <span style="border: 1px solid black; padding: 2px;"> </span> =</td> <td style="border: 1px solid black; text-align: center;"> </td> </tr> <tr> <td></td> <td></td> <td></td> <td style="border: 1px solid black; text-align: center;">- 3** = 2</td> <td style="border: 1px solid black; text-align: center;">X <span style="border: 1px solid black; padding: 2px;">40</span> =</td> <td style="border: 1px solid black; text-align: center;">80</td> </tr> <tr> <td colspan="5"></td> <td style="border: 1px solid black; text-align: center;"> </td> </tr> </tbody> </table> <p>**or number previously paid, if greater; For Reissues, see below</p> <table border="1" style="width: 100%; border-collapse: collapse;"> <thead> <tr> <th>Large Fee Code</th> <th>Entity Fee (\$)</th> <th>Small Fee Code</th> <th>Entity Fee (\$)</th> <th>Fee Description</th> <th>Fee Paid</th> </tr> </thead> <tbody> <tr><td>103</td><td>18</td><td>203</td><td>9</td><td>Claims in excess of 20</td><td></td></tr> <tr><td>102</td><td>80</td><td>202</td><td>40</td><td>Independent claims in excess of 3</td><td></td></tr> <tr><td>104</td><td>270</td><td>204</td><td>135</td><td>Multiple dependent claim, if not paid</td><td></td></tr> <tr><td>109</td><td>80</td><td>209</td><td>40</td><td>** Reissue independent claims over original patent</td><td></td></tr> <tr><td>110</td><td>18</td><td>210</td><td>9</td><td>** Reissue claims in excess of 20 and over original patent</td><td></td></tr> <tr> <td colspan="5" style="text-align: right;"><b>SUBTOTAL (2)</b>    (\$)</td> <td style="border: 1px solid black; text-align: center;">80</td> </tr> </tbody> </table>	Large Fee Code	Entity Fee (\$)	Small Fee Code	Entity Fee (\$)	Fee Description	Fee Paid	101	710	201	355	Utility filing fee	355	106	320	206	160	Design filing fee		107	490	207	245	Plant filing fee		108	710	208	355	Reissue filing fee		114	150	214	75	Provisional filing fee		<b>SUBTOTAL (1)</b> (\$)					355	Total Claims	Independent Claims	Multiple Dependent	Extra Claims	Fee from below	Fee Paid	14	5		- 20* = 0	X <span style="border: 1px solid black; padding: 2px;"> </span> =					- 3** = 2	X <span style="border: 1px solid black; padding: 2px;">40</span> =	80							Large Fee Code	Entity Fee (\$)	Small Fee Code	Entity Fee (\$)	Fee Description	Fee Paid	103	18	203	9	Claims in excess of 20		102	80	202	40	Independent claims in excess of 3		104	270	204	135	Multiple dependent claim, if not paid		109	80	209	40	** Reissue independent claims over original patent		110	18	210	9	** Reissue claims in excess of 20 and over original patent		<b>SUBTOTAL (2)</b> (\$)					80																																																																									
Large Fee Code	Entity Fee (\$)	Small Fee Code	Entity Fee (\$)	Fee Description	Fee Paid																																																																																																																																																																																
101	710	201	355	Utility filing fee	355																																																																																																																																																																																
106	320	206	160	Design filing fee																																																																																																																																																																																	
107	490	207	245	Plant filing fee																																																																																																																																																																																	
108	710	208	355	Reissue filing fee																																																																																																																																																																																	
114	150	214	75	Provisional filing fee																																																																																																																																																																																	
<b>SUBTOTAL (1)</b> (\$)					355																																																																																																																																																																																
Total Claims	Independent Claims	Multiple Dependent	Extra Claims	Fee from below	Fee Paid																																																																																																																																																																																
14	5		- 20* = 0	X <span style="border: 1px solid black; padding: 2px;"> </span> =																																																																																																																																																																																	
			- 3** = 2	X <span style="border: 1px solid black; padding: 2px;">40</span> =	80																																																																																																																																																																																
Large Fee Code	Entity Fee (\$)	Small Fee Code	Entity Fee (\$)	Fee Description	Fee Paid																																																																																																																																																																																
103	18	203	9	Claims in excess of 20																																																																																																																																																																																	
102	80	202	40	Independent claims in excess of 3																																																																																																																																																																																	
104	270	204	135	Multiple dependent claim, if not paid																																																																																																																																																																																	
109	80	209	40	** Reissue independent claims over original patent																																																																																																																																																																																	
110	18	210	9	** Reissue claims in excess of 20 and over original patent																																																																																																																																																																																	
<b>SUBTOTAL (2)</b> (\$)					80																																																																																																																																																																																

<b>SUBMITTED BY</b>				<b>Complete (if applicable)</b>	
Typed or Printed Name	Roger S. Williams	Reg. Number	43,273	Deposit Account	20-1507
Signature		Date	11/7/00	User ID	

Burden Hour Statement. This form is estimated to take 0.2 hours to complete. Time will vary depending upon the needs of the individual case. Any comments on the amount of time you are required to complete this form should be sent to the Chief Information Officer, Patent and Trademark Office, Washington, DC 20231. DO NOT SEND FEES OR COMPLETED FORMS TO THIS ADDRESS. SEND TO: Assistant Commissioner for Patents, Washington, DC 20231.

DD FORM 602 (02-99)

# FLOTATION SWIMSUIT AND METHOD FOR CONSTRUCTION THEREOF

## BACKGROUND OF THE INVENTION

### Field of Invention

5           This invention relates generally to articles of apparel for water sports and the like, and more particularly to swimsuits for providing flotation to the wearer and specific means of construction of such swimsuits.

### Description of Related Art

10           Swimming and boating are popular recreational activities which are enjoyed by people of all ages, especially children. In the interest of safety during these activities, it is important that individuals learn to swim as early as possible. However, it is usually necessary for non-swimmers to enter the water for significant periods of time while they are learning to swim, thereby placing them at risk for drowning. Therefore, it is desirable to provide non-swimmers, especially children, with flotation devices for use while they are in the water and when they are learning to swim. In fact, most states require that children wear personal flotation devices while on boats.

15           One simple type of personal flotation device that has been found to be especially well adapted for use by children and non-swimmers is the flotation swimsuit. Flotation swimsuits are generally less obtrusive than standard personal flotation devices, such as life jackets. Thus, the wearer of a flotation swimsuit feels more natural, allowing the wearer to learn to swim without feeling overly dependent upon a flotation device. Additionally, flotation swimsuits may enhance the safety of children since it is more difficult for a child to remove a flotation swimsuit than it is to remove a vest or other similar flotation device.

00207" 50E80260

Flotation swimsuits have been developed in a variety of designs. However, each of these suffers from disadvantages. For example, many flotation swimsuits rely upon inflatable compartments to provide buoyancy. However, inflatable compartments usually require inflation immediately prior to use and may become ineffective if punctured, thereby placing a child at risk for drowning. Other flotation swimsuits rely upon blocks of closed cell foam or like materials to provide buoyancy. However, the use of a single, monolithic foam block has been found to be impractical since large foam blocks are generally bulky and not amenable to inclusion in a comfortable swimsuit.

Flotation swimsuits using multiple smaller foam blocks have been developed which are less bulky and obtrusive than suits using single foam blocks and have been found to be aesthetically more appealing. These suits typically include a number of smaller foam blocks distributed at strategic locations within the swimsuit to ensure proper flotation and to maximize the likelihood that the airways of the wearer will remain above the surface of the water. In some prior flotation swimsuits, the foam blocks have been inserted into open pockets, however, there is some danger that blocks may fall out of an open pocket, or be removed by a child. Accordingly, it is desirable to place the foam blocks in closed pockets to prevent their removal.

Prior designs for flotation swimsuits incorporating numerous foam blocks in closed pockets have required relatively complicated construction steps, particularly the pocket closing step. The complexity of the sewing is also increased because the pocket construction and closing steps must be performed to form a separate pocket for each individual foam block. Therefore, there is a need for a new flotation swimsuit which has the advantages of the flotation swimsuits which incorporate numerous foam blocks, yet

which minimizes the complexity of the required sewing and construction steps.

Accordingly, it is an object of the present invention to provide a floatation swimsuit having simplified sewing while still simulating the structure of a suit having numerous individual floatation elements.

5            Furthermore, it is an object of the present invention to provide a floatation swimsuit which provides a properly balanced buoyancy to ensure that the wearer's head and breathing passages remain above the surface of the water but which allows for a feeling of natural flexibility to aid the wearer in to learn to swim.

10            It is yet another object of the present invention to provide a floatation swimsuit which may be easily donned and removed.

**SUMMARY OF THE INVENTION**

DRAFT 5/27/2010

          The above objectives are accomplished according to the present invention by providing a floatation swimsuit having a unitary contoured floatation element for providing strategically distributed buoyancy to a wearer and for simulating the structure of several individual floatation elements. The flotation swimsuit includes a form-fitting torso  
15 covering which includes a retaining pocket for enclosing the unitary flotation element. The unitary flotation element includes a backsheet formed from a layer of buoyant material having a thickness within a first predetermined range for providing general buoyancy to a wearer and having an inner surface for presentation toward the wearer and an outer surface  
20 for presentation away from the wearer. The unitary flotation element also includes a plurality of enhanced buoyancy regions integrally carried by the backsheet in fixed relative positions for providing enhanced buoyancy to strategically selected areas of the wearer's body. Each of the enhanced buoyancy regions is formed from a buoyant material having a

thickness substantially greater than that of the backsheet and each enhanced buoyancy region extends outwardly from the outer surface of the backsheet.

The floatation element may include a distributed buoyant layer having strategically positioned thickened areas to provide balanced floatation and may optionally include a fastenable opening in the chest region to allow easier donning and removal of the suit.

### **BRIEF DESCRIPTION OF THE DRAWINGS**

The construction and design to carry out the invention will hereinafter be described together with other features thereof. The invention will be more readily understood from a reading of the following specification and by reference to the accompanying drawings forming a part thereof, wherein an example of the invention is shown and wherein:

FIG. 1 illustrates a front perspective view of an unitary flotation element for use in a flotation swimsuit in accordance with a first embodiment of the present invention.

FIG. 2 illustrates a front perspective view of a set of separate blocks of buoyant foam as are typically used in prior art flotation swimsuits.

FIG. 3 illustrates a front view of a prior art flotation swimsuit utilizing the separate blocks of buoyant foam of claim 2.

FIG. 4 illustrates a front view of a flotation swimsuit utilizing a unitary flotation element in accordance with the embodiment of FIG. 1.

FIG. 4B illustrates a cross sectional view through a portion of the flotation swimsuit of FIG. 4 along cut line  $\alpha$ - $\alpha$ .

FIG. 5 illustrates a front view of a sleeved flotation swimsuit having a whole body flotation member including enhanced buoyancy regions in accordance with a second embodiment of the present invention.

FIG. 6 illustrates a front view of a sleeveless flotation swimsuit having a whole body flotation member including enhanced buoyancy regions in accordance with a second embodiment of the present invention.

FIGS. 7A-C illustrate front views of flotation swimsuits having a variety of upper torso enhanced buoyancy regions for use in accordance with variations of the embodiments of FIGS. 5 and 6.

FIGS. 8A-G illustrate front views of a flotation swimsuits having a variety of lower torso enhanced buoyancy regions for use in accordance with variations of the embodiments of FIGS. 5 and 6.

FIG. 9 illustrates a front view of a flotation swimsuit having an upper torso distributed buoyancy layer and including enhanced buoyancy regions in accordance with a yet another embodiment of the present invention.

FIGS. 10A and 10B illustrate front views of flotation swimsuits having fastenable chest openings in accordance with yet another embodiment of the present invention.

FIG. 11 illustrate front and rear views, respectively, of a flotation swimsuit having a fastenable back opening in accordance with yet another embodiment of the present invention.

FIG. 12A and 12B illustrate front and rear views, respectively, of a single front flotation element in accordance with a preferred embodiment of the present invention.

FIG. 13A and 13B illustrate front and rear views, respectively, of a rear flotation element in accordance with a preferred embodiment of the present invention.

## **DETAILED DESCRIPTION OF PREFERRED EMBODIMENTS**

Referring now in more detail to the drawings, the invention will now be described in detail. As shown in FIG. 4, in accordance with a preferred embodiment of the present invention, a flotation swimsuit A is provided. Flotation swimsuit A includes a form-fitting torso covering 60 having an element retaining pocket 54 for enclosing an unitary flotation element 20 depicted in FIG. 1. Unitary flotation element 20 includes a backsheet 22 from which protrude a plurality of enhanced buoyancy regions 24, 26, 28 and 30, for providing additional buoyancy to selected areas of flotation swimsuit A, thereby strategically controlling its buoyancy distribution. As shown in FIG. 4, in the preferred embodiment, enhanced buoyancy regions 24, 26, 28 and 30 are integral to unitary flotation element 20 which may be simply and easily attached to flotation swimsuit A by stitching as a single unit.

In contrast, FIG. 2 illustrates a front perspective view of a prior art set of separate foam elements 34, 36, 38 and 40 such as would typically be used to provide targeted buoyancy in a traditional flotation swimsuit B. As shown in FIG. 3, it is necessary to individually stitch each foam element 34, 36, 38 and 40 into its own respective element retaining pocket 42, 44, 46 and 48 to ensure that the elements remain at targeted locations. The shown configuration has the advantage of allowing targeted distribution of buoyancy to the upper and lower torso regions of the wearer and has been found to be aesthetically pleasing. However, the stitching required to form and close numerous element retaining pockets 42, 44, 46, and 48 adds greatly to the complexity and expense of the stitching and construction steps required to produce flotation swimsuits B incorporating multiple foam elements.



002077 60E80260

FIG. 4 illustrates a front view of a flotation swimsuit A utilizing the unitary flotation element 20 of FIG. 1. As can be seen, unitary flotation element 20 may be attached to the form-fitting torso covering 60 of flotation swimsuit A utilizing a fabric sheet 52 which is stitched to form-fitting torso covering 60 of flotation swimsuit A to form an element retaining pocket 54 enclosing unitary flotation element 20. The stitching required to form element retaining pocket 54 and enclose unitary flotation element 20 is considerably less complex and expensive than the stitching that would be required to form the multiple element retaining pockets 42, 44, 46, and 48 used in a traditional flotation swimsuits such as swimsuit B shown in FIG. 3. Additionally, the unitary construction of flotation element 20 ensures that each of the enhanced buoyancy regions 24, 26, 28 and 30 remains at its targeted location, rather than moving about within unitary element retaining pocket 54, as would be the case if multiple individual foam elements 34, 36, 38 and 40 were placed into a single retaining pocket.

FIG. 4B illustrates a cross sectional view through a portion of a flotation swimsuit A (taken along cut line  $\alpha$ - $\alpha$ ) incorporating a unitary flotation element 20 (shading indicates buoyant foam). A form-fitting torso covering 60 is provided which, in the preferred embodiment, is a variant of a simple one-piece swimsuit. Form-fitting torso covering 60 is constructed from a fabric sheet 62 defining an inner surface 64 for presentation toward a wearer and an outer surface 66 for presentation away from the wearer. In the preferred embodiment, fabric sheet 62 is a nylon/lycra fabric sheet, although other fabrics suitable for use in conventional swimsuits may also be acceptable. Unitary flotation element 20 is maintained adjacent the outer surface 66 of form-fitting torso covering 60 by fabric sheet 52 which is affixed to form-fitting torso covering 60 by stitching 68 to form unitary element

retaining pocket 54. However, in alternative embodiments, fabric sheet 52 may be affixed to form-fitting torso covering 60 by a variety of other methods such as adhesives, lamination or rivets.

Unitary flotation element 20 includes a backsheet 22 having a first predetermined thickness and constructed from a buoyant material for providing general buoyancy to a wearer. A plurality of enhanced buoyancy regions 24 and 28 extend outwardly from the outwardly disposed surface of backsheet 22 at fixed relative positions for providing additional, strategically targeted buoyancy to specific areas of the wearer's body. In the preferred embodiment, buoyancy is targeted to the wearer's upper and lower torso regions to stabilize the wearer's flotation and to maximize the distance between the wearer's air passages and the surface of the water. Each enhanced buoyancy region 24 and 28 is constructed from a buoyant material and has a thickness in a second predetermined range which is substantially greater than the thickness of backsheet 22.

In the preferred embodiment, unitary flotation element 20 is constructed from a single piece of buoyant material which encompasses both backsheet 22 and enhanced buoyancy regions 24, 26, 28 and 20 as illustrated in FIG. 1. For example and not limitation, unitary flotation element 20 may be molded from a closed-cell foamed plastic which is of a thermoformable grade, such as a foam from the polyolefin family of materials. The foamed plastic should be relatively lightweight, having a density of no more than 4 pcf (pounds per cubic foot). In the preferred embodiment, flotation element 20 is a cross-linked polyethylene foam material having a density of approximately 2 pcf, such as is used in some other personal flotation devices. Alternatively, an expanded polypropylene foam having a similar density could also be used. A second unitary flotation element having a

similar structure may also be included for attachment to the rear of form-fitting torso covering 60 as necessary to provide an appropriate buoyancy distribution to keep a wearer's head above the surface of a body of water.

In the preferred embodiment, fabric sheet 52 is laminated to the outwardly disposed surface of unitary flotation element 20, thereby ensuring that fabric sheet 52 closely follows the contour of unitary flotation element 20. The periphery of fabric sheet 52 may then be sewn to torso covering 60 to form an element retaining pocket 54. Laminating fabric sheet 52 to unitary flotation element 20 ensures that no shifting of unitary flotation element 20 occurs within element retaining pocket 54. Additionally, laminating fabric sheet 52 to unitary flotation element 20 also results in a finished flotation swimsuit A which simulates the aesthetically desirable contoured look which would be obtained by attaching multiple foam elements in a traditional flotation swimsuit B as shown in FIG. 3.

In the preferred embodiment unitary floatation element 20 will be formed as follows. The foam material is cut to a suitable pre-molding size, called a blocker, and heated in a conveyORIZED, computer-controlled oven. Once the blocker is heated to a pre-designated temperature throughout, the blocker is removed from the oven conveyor and placed between two machined aluminum mold halves attached to the platens of a hydraulic or air-cylinder operated press.

The press is operated, closing the mold halves around the heated blocker, forcing the foam into the desired shape, and holding it there while the material is cooled to a temperature sufficiently cool enough to allow it to maintain the desired shape. The molded blocker, containing one or more of the desired flotation elements 20 is then removed from the molds and any necessary trimming of unwanted flashing is done.

1 The fabric material may be laminated to the foamed plastic in either a one-step or a  
2 two-step process. In the one-step process, two fabric layers are utilized, one for the top of  
3 the foam and one for the bottom of the foam. Both of the layers are pre-coated on one side  
4 with a heat-activated adhesive, and are placed on the top or the bottom, respectively, of the  
5 foam blocker during the foam heating process. When this sandwich construction is placed  
6 into the mold halves the fabric is affixed to the foam through a combination of heat and  
7 pressure. By virtue of the fabric's inherent stretch, the fabric conforms to the shape the  
8 foam is being forced into during the molding process. This molded composite may then be  
9 removed from the molds as described above, and any necessary trimming of unwanted  
10 flashing is done. If desired, a specific amount of flashing may be left, which will be a  
11 combination of fabric/foam/fabric in which the foam has been compressed to as minimal  
12 thickness, thereby facilitating subsequent sewing operations necessary to complete the  
13 flotation suit.

14  
15 In the two-step method, the fabric is affixed to the molded foam component in a  
16 secondary operation. In this secondary operation, a pre-molded foam component is placed  
17 between two machined aluminum mold halves that are heated, with the two pieces of fabric,  
18 with their pre-coating of heat-activated adhesive, being placed on the top and the bottom of  
19 the foam. The press is operated, laminating the fabric to the foam as it is being stretched to  
20 follow the contours of the pre-molded foam. The two-step method could be employed to  
21 allow the fabric to extend beyond the dimensions of the pre-molded and already trimmed  
22 foam part in order to eliminate any foam in the sewable area, thus making the sewing  
23 operations easier to perform.

Different mold sets may be used to produce the range of product sizes required for proper flotation properties over a range of user weights. The size range may be produced by having flotation components manufactured with a range of different overall length and width dimensions, or a range of different overall thicknesses, or a combination of the two.

5 In the event that a different thickness is necessary for two or more components having the same dimensional “footprint”, a sizer collar or collars may be incorporated into the mold set to minimize both the number of mold sets necessary and the total cost of the mold sets.

FIGS. 12A and B and 13A and B illustrate a front and rear views of a presently preferred configuration of flotation elements for use in a flotation swimsuit A. A single front flotation element 60, illustrated in FIGS. 12A and 12B, is provided for providing 10 balanced buoyancy in conjunction with a pair of rear flotation elements 62, one of which is illustrated in FIGS. 13A and 13B. Two rear flotation elements 62, are utilized to allow placement of a fastenable opening in the center of the back of the flotation swimsuit A to facilitate the donning and removal of the suit by a wearer. Each of front and rear flotation 15 elements 60 and 62 include a plurality of enhanced buoyancy regions 66 disposed atop a backsheet 68. Additionally, each back sheet 68 includes a plurality of inwardly disposed flexion channels 70 for allowing the flotation element 60 or 62 to flex to fit the form of the wearer. Flexion channels 70 increase the flexibility of the flotation swimsuit A, and in conjunction with a properly balanced buoyancy distribution can assist a wearer in learning 20 to swim without creating a feeling of unnatural stiffness or buoyancy upon which the wearer may become dependent.

The front and rear floatation elements shown respectively in FIGS 12 and 13 represent a configuration providing approximately 12 pounds of buoyancy. The cubic

002011 60E80260

volume of the components represented by these drawings is 350 in<sup>3</sup>. Other sizes will have proportional increases or decreases in the buoyancy provided by virtue of the proportional increases or decreases in their cubic volume. As mentioned earlier, these changes in cubic volume may be made by increasing or decreasing the “footprint” of the part, or by  
5 increasing or decreasing the thickness of the part, or by a combination of both of these methods. For instance, flotation components having a total flotation specification of 9 pounds of buoyancy would require 75% of the cubic volume necessary to provide 12 pounds of buoyancy. The design of this 9 pound part would be done incorporating this absolute cubic volume value. Other desired bouyancies can be achieved by similarly  
10 varying the dimensions of the flotation elements.

In order to provide a higher level of safety to the wearer and to comply with state and federal safety regulations, it is desirable to provide an indicator of the wear and degradation which may occur to the fabric components of form-fitting torso covering 60 and element retention pockets 54 upon use and exposure to the elements. Accordingly, in  
15 the preferred embodiment, fabric components, form-fitting torso covering 60 and element retention pockets 54 include a dye which may be slowly bleached upon exposure to chlorinated water and/or sunlight, providing an indication to the wearer that the fabric materials of the swimsuit are likewise beginning to degrade.

FIG. 5 and FIG. 6, respectively, illustrate front views of sleeved and sleeveless  
20 floatation swimsuits C having a distributed flotation layer and including enhanced buoyancy regions in fixed relative positions in accordance with a second embodiment of the present invention. In the embodiment of FIG. 5 and FIG. 6, a form-fitting torso covering 100 is provided, which includes a distributed layer of buoyant material 101 (indicated by

002077 50E80260

speckling) distributed throughout a substantial portion thereof. Enhanced buoyancy regions 102, 104, 106 and 108 (indicated by shading) are provided at selected fixed sites upon the surface of form-fitting torso covering 100 to provide strategically distributed buoyancy to the wearer. Use of a distributed layer of buoyant material throughout a substantial portion of form-fitting torso covering 100 reduces the necessary thickness of enhanced buoyancy regions 102, 104, 106 and 108, producing a more comfortable and sleeker appearing flotation swimsuit C than would be possible if the buoyancy were limited solely to enhanced buoyancy regions 102, 104, 106 and 108.

Form-fitting torso covering 100 is preferably constructed from a flexible, high-strength, buoyant material such as the closed-cell neoprene commonly used in the construction of wet suits for swimmers and divers. In an alternative embodiment, form-fitting torso covering 100 and any associated sleeves may include one or more layers of fabric laminated or otherwise attached to the buoyant material. In either case, it may also be preferable to include a component which is opaque to ultraviolet radiation in the construction of form-fitting torso covering 100 to provide a wearer with protection from harmful solar radiation.

Enhanced buoyancy regions 102, 104, 106 and 108 are preferably integrally molded to protrude from the outer surface of form-fitting torso covering 100. However, one of ordinary skill in the art will recognize that enhanced buoyancy regions 102, 104, 106, and 108 may also be attached to the outer surface of form-fitting torso covering by stitching or may be enclosed within element retaining pockets similar to those discussed with regard to the embodiment of FIG. 1 and 4. In either case, enhanced buoyancy regions 102, 104, 106 and 108 should has a thickness substantially greater than that of form-fitting torso covering

100. In embodiments wherein enhanced buoyancy regions 102, 104, 106 and 108 are not integral to form-fitting torso covering 100, they are preferably constructed of a material having a greater buoyancy and less flexibility than the material of which form-fitting torso covering 100 is composed.

5 In the preferred embodiment of the present invention, a large upper torso enhanced buoyancy region 110 is provided to provide significant buoyancy to help keep the wearer's breathing passages above the surface of the water when the wearer is swimming or floating.

FIGS. 7A-C illustrate front perspective views of a variety of upper torso enhanced buoyancy regions for use in accordance with variations of the embodiment of FIGS. 5 and

10 6. Upper torso enhanced buoyancy region 110 may be rectangular as shown in FIG. 7A, ovoid as shown in FIG. 7B, or any of a variety of other shapes as long as the center of buoyancy is conducive to maintaining the wearer's breathing passages above the surface of the water. Also, as illustrated in FIG. 7C, the upper torso enhanced buoyancy 110 region may also include a plurality of smaller enhanced buoyancy regions 112 and 114 disposed to  
15 provide buoyancy to selected regions of the upper torso of the wearer, such as the shoulder regions.

In the preferred embodiment, flotation swimsuit C also includes a lower torso enhanced buoyancy region 120 for providing additional buoyancy to the wearer. FIGS. 8A-G illustrate front perspective views of a variety of lower torso enhanced buoyancy regions  
20 120 for use in accordance with variations of the embodiment of FIGS. 5 and 6. As can be seen, the lower torso enhanced buoyancy regions 120 may come in a wide variety of configurations including circumferentially distributed blocks (FIGS. 8A through 8D and 8G) or a single circumferential band (FIGS. 8E and 8F)



002077 50E80260

FIG. 9 illustrates a front view of a floatation swimsuit D having an upper torso distributed buoyancy region 130, and including several enhanced buoyancy regions 132 in accordance with a yet another embodiment of the present invention. In the embodiment of FIG. 9, distributed buoyancy region 130 is limited to the upper region of the torso of the  
5 wearer, and is not present at the lower torso and leg regions 134. Concentration of buoyancy in the upper torso region should also help to maintain the wearers air passages above the surface of the water in circumstances.

In yet another embodiment, it is preferable to provide a fastenable torso opening 140 to allow easier donning and removal of a flotation swimsuit E. FIGS. 10A and 10B  
10 illustrate front perspective views of flotation swimsuits having a fastenable chest openings 140. As shown in FIG. 10A, chest opening 140 may be fastened using a full length closure mechanism 142 such as a zipper or hook and loop fastener 144. Alternatively, as shown in FIG. 10B, chest opening 140 may be fastened using a periodically spaced closure mechanism 146 such as ties, hooks, snaps, buttons, clasps, or adjustable straps with quick  
15 connect clasps.

FIGS. 11A and 11B illustrate a front and rear views, respectively, of a flotation swimsuit F having a distributed buoyancy region 130 (indicated by shading) and a fastenable back opening 150 in accordance with yet another embodiment of the present invention. As shown in FIG. 11B, it may be preferable to have a fastenable torso opening  
20 150 in the rear of a flotation swimsuit F in order to help prevent removal by toddlers and small children. By placing the fastenable opening 150 in the rear of the flotation swimsuit F it is possible to make it difficult, if not impossible for a child or toddler to remove the flotation swimsuit without assistance, thereby ensuring that the child or toddler cannot

5 remove the flotation swimsuit F. As in the embodiments of FIGS. 10A and 10B, the fastenable closure mechanism 150 may include a full length closure mechanism 152 such as a zipper or hook and loop fastener. Alternatively, rear fastenable opening 150 may be fastened using a periodically spaced closure mechanism such as a set of ties, hooks, snaps, buttons, clasps, straps, or adjustable straps having quick connect clasps.

10 Also as shown in FIGS. 11A and 11B, in some embodiments it may be desirable to include a buoyant collar 154 to provide additional buoyancy beyond that provided by distributed buoyancy region 130. The use of a buoyant collar 154 also may be used to ensure that the head of a very small child or unconscious wearer is kept above the surface of the water.

15 In any of the above discussed embodiments, it is desirable to tailor the amount of total buoyancy and the distribution of buoyancy to the values appropriate for the children or other individuals who will actually be wearing the flotation swimsuits. The Coast Guard has set minimum buoyancy values for personal flotation devices which correspond to the relative weights of the child wearers. For example, a minimum of 4.5 - 7.0 pounds of buoyancy is mandated for infants and small children weighing between thirty and forty pounds and a minimum of 11.0 pounds of buoyancy is required for children weighing between fifty and ninety pounds. For larger children and adults, the maximum buoyancy likely to be necessary is approximately 19.0-20.0 pounds. The Coast Guard regulations also

20 mandate that no less than 50% of the required minimum buoyancy be distributed to front portion of the wearer in order to ensure a proper relative balancing of the wearer to maximize the distance between the wearers breathing passages and the surface of the water when the wearer is floating freely.

It thus will be appreciated that the objects of this invention have been fully and effectively accomplished. It will be realized, however, that the foregoing preferred specific embodiments have been shown and described for the purpose of this invention and are subject to change without departure from such principles. Therefore, this invention

5 includes all modifications encompassed within the spirit and scope of the following claims.

What is claimed is:

1. A flotation swimsuit comprising:

a form-fitting torso covering, said form-fitting torso covering including a retaining pocket;

5 a unitary flotation element for retention by said retaining pocket, said unitary flotation element including:

a backsheet comprising a layer of buoyant material having a thickness within a first predetermined range for providing general buoyancy to a wearer, said backsheet including an inner surface for presentation toward a wearer and an outer surface for presentation away from a wearer; and

10

a plurality of raised portions integrally carried by said backsheet in fixed relative positions for providing enhanced buoyancy to strategically selected areas of the wearer's body, each of said raised portions comprising a buoyant material having a thickness substantially greater than that of said backsheet and each of said raised portions extending outwardly from said outer surface of said backsheet.

15

2. The flotation swimsuit of Claim 1, wherein said retaining pocket includes a sheet of fabric, said sheet of fabric being laminated to the outwardly disposed surface of said unitary flotation element to ensure that said fabric sheet closely matches the contours of said backsheet and enhanced buoyancy regions of said unitary flotation element.

20

3. The flotation swimsuit of Claim 1, wherein said retaining pocket includes a sheet of fabric having an indicator dye which bleaches upon exposure to the elements to notify the wearer of degradation of the swimsuit components.

5 4. The flotation swimsuit of Claim 1, wherein said plurality of raised portions include an upper torso portion and a lower torso portion.

5. A unitary flotation element for use in a floatation swimsuit, said floatation element comprising:

10 a backsheet comprising a layer of buoyant material having a thickness within a first predetermined range for providing general buoyancy to a wearer, said backsheet including an inner surface for presentation toward a wearer and an outer surface for presentation away from a wearer;

15 a plurality of raised portions integrally carried by said backsheet in fixed relative positions for providing enhanced buoyancy to strategically selected areas of the wearer's body, each of said raised portions comprising a buoyant material having a thickness substantially greater than that of said backsheet and each of said raised portions extending outwardly from said outer surface of said backsheet.

20 6. The flotation swimsuit of Claim 5, wherein said plurality of raised portions include an upper torso portion and a lower torso portion.

002011 60E80250

7. A flotation swimsuit comprising:  
a form-fitting torso covering, said form-fitting torso covering including a distributed layer of buoyant material distributed substantially throughout for providing general buoyancy to the wearer, said distributed layer of buoyant material  
5 having a thickness in a first particular range; and

a plurality of enhanced buoyancy regions integrally carried by said distributed layer of buoyant material in fixed positions for providing enhanced buoyancy to strategically selected areas of the wearer's body, each of said enhanced buoyancy regions comprising a buoyant material having a thickness substantially  
10 greater than that of said distributed layer of buoyant material and extending outwardly therefrom.

8. The flotation swimsuit of Claim 7, wherein said plurality of raised portions include an upper torso portion and a lower torso portion.

9. The flotation swimsuit of claim 7, further comprising a fastenable torso opening.

10. The flotation swimsuit of claim 9, wherein said fastenable torso opening  
20 includes a fastenable chest opening.

11. The flotation swimsuit of claim 9, wherein said fastenable torso opening includes a fastenable back opening.

12. The flotation swimsuit of claim 9, wherein said fastenable torso opening includes a fastener selected from the group consisting of a zipper, a hook and loop fastener, a button, a snap, a tie, and a strap.

5

13. A method of manufacturing a flotation swimsuit comprising the steps of:  
providing a form-fitting torso covering having an element retaining pocket;  
providing a unitary flotation element having a backsheet comprising a layer of  
buoyant material having a thickness within a first predetermined range and a plurality of  
10 raised portions integrally carried by said backsheet for providing enhanced buoyancy to  
strategically selected areas of the wearer's body;

positioning said unitary flotation element at a desired location adjacent said form-  
fitting torso covering;

securing said unitary flotation element within said element retaining pocket.

15

14. A flotation swimsuit comprising:

a form-fitting torso covering, said form-fitting torso covering including a  
retaining pocket;

a unitary flotation element for retention by said retaining pocket, said unitary  
20 flotation element including:

a backsheet comprising a layer of buoyant material having a  
thickness within a first predetermined range for providing general buoyancy  
to a wearer, said backsheet including an inner surface for presentation

toward a wearer and an outer surface for presentation away from a wearer;  
and

5 a plurality of raised portions integrally carried by said backsheet in fixed relative positions for providing enhanced buoyancy to strategically selected areas of the wearer's body, each of said raised portions comprising a buoyant material having a thickness substantially greater than that of said backsheet and each of said raised portions extending outwardly from said outer surface of said backsheet;

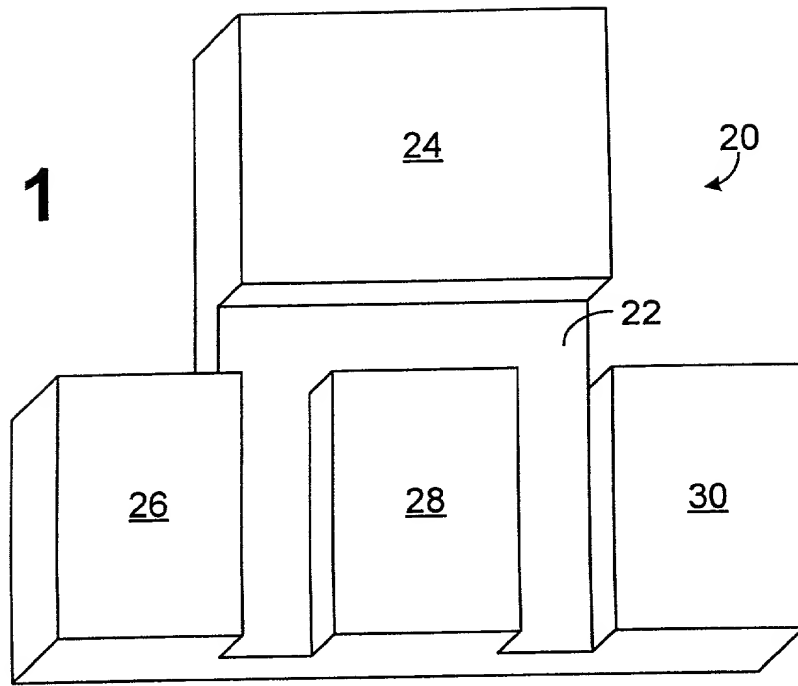
10 wherein plurality of raised portions include an upper torso portion and a lower torso portion and said retaining pocket includes a sheet of fabric, said sheet of fabric being laminated to the outwardly disposed surface of said unitary flotation element to ensure that said fabric sheet closely matches the contours of said backsheet and enhanced buoyancy regions of said unitary flotation element.





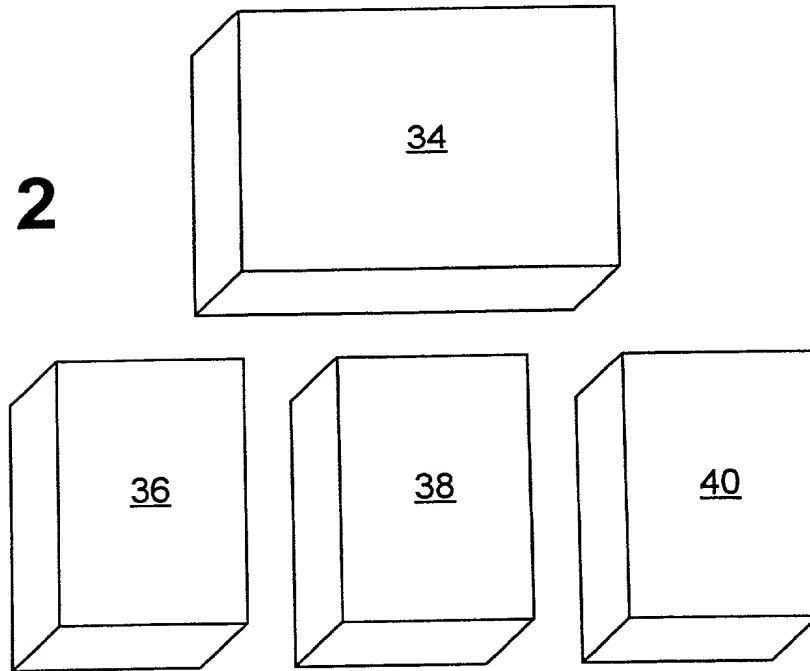
002077 60280250

**FIG. 1**



**FIG. 2**

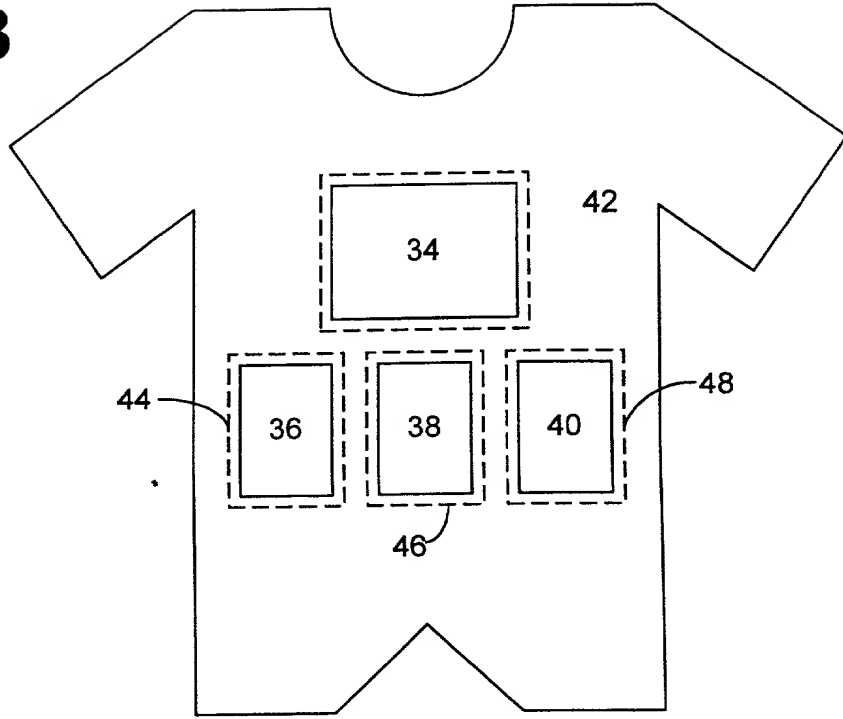
**Prior Art**



**FIG. 3**

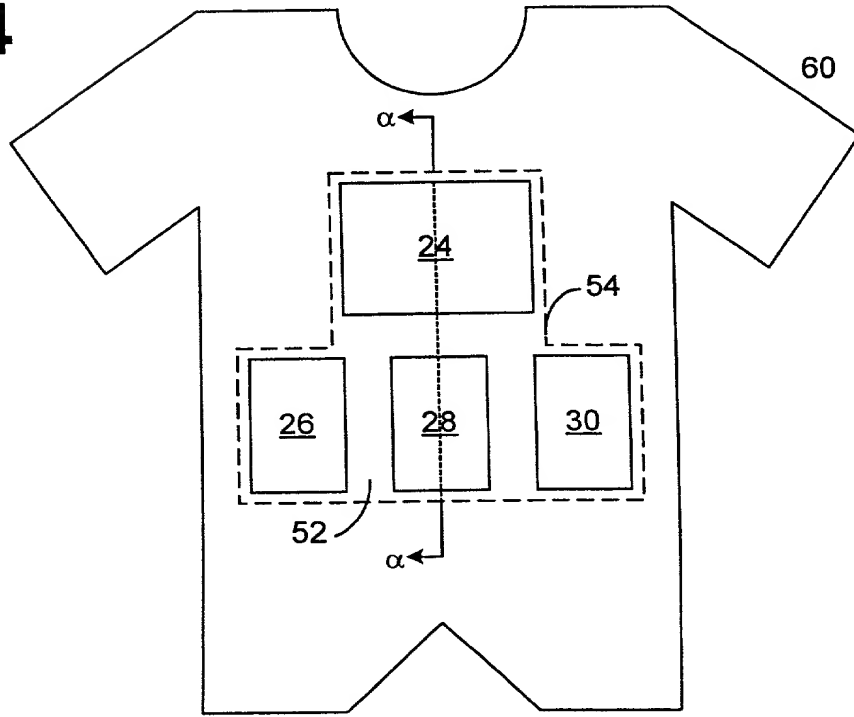
Prior Art

B

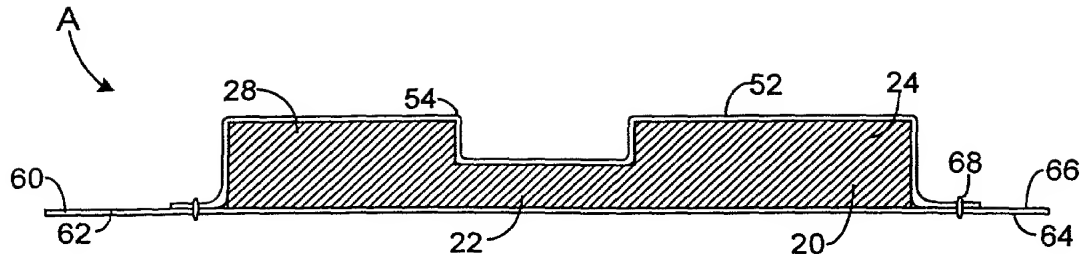


**FIG. 4**

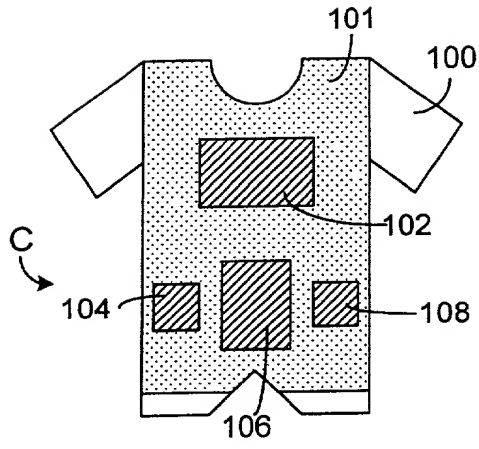
A



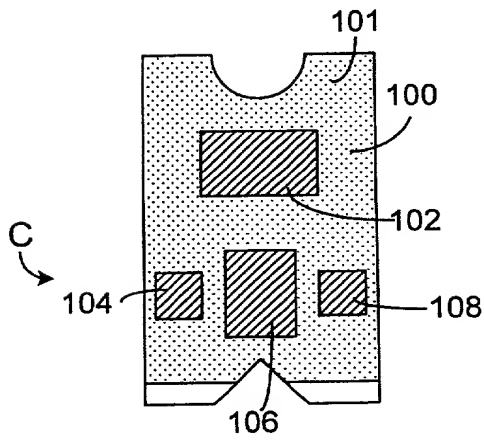
002077 60E80C60



**FIG. 4B**

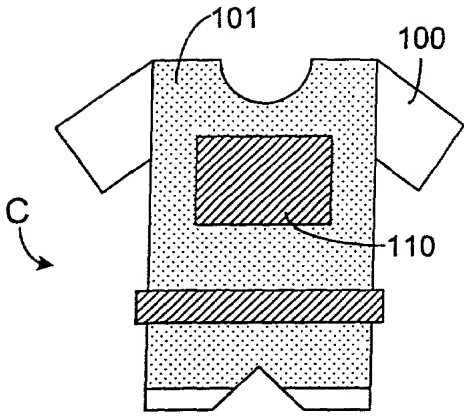


**FIG. 5**

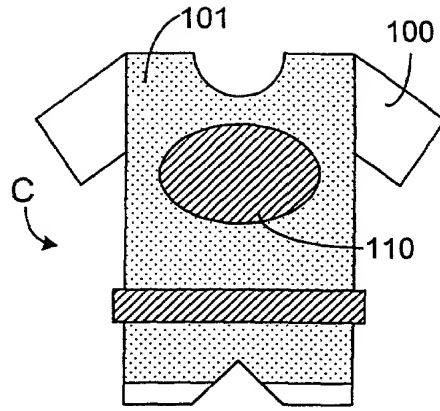


**FIG. 6**

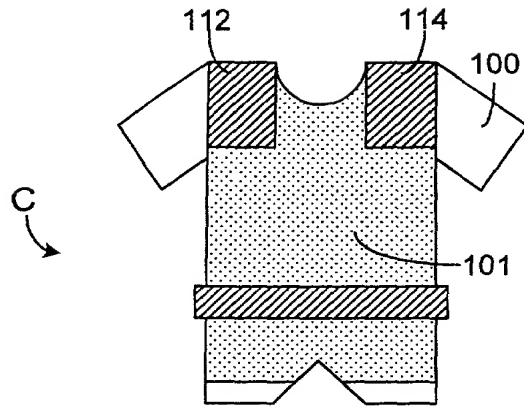
002011 60280460



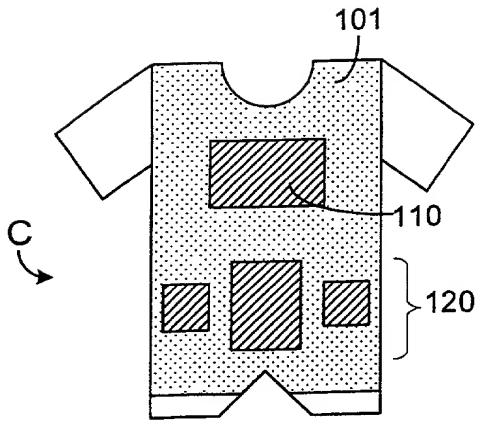
**FIG. 7A**



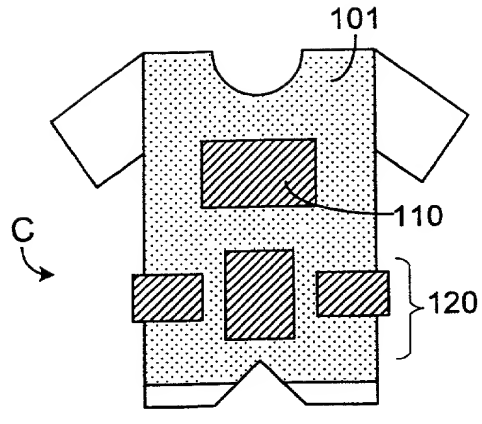
**FIG. 7B**



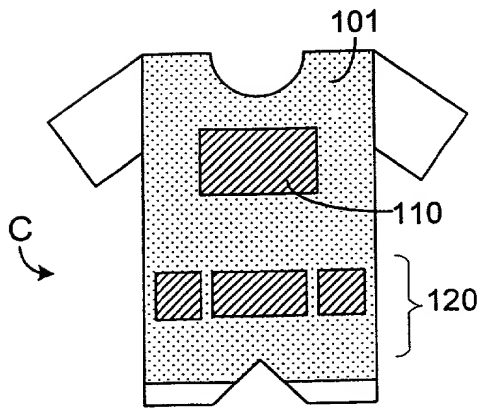
**FIG. 7C**



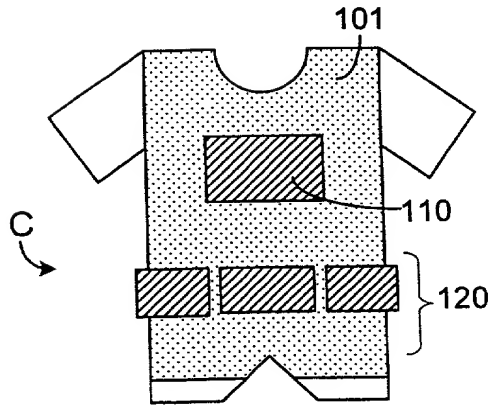
**FIG. 8A**



**FIG. 8B**

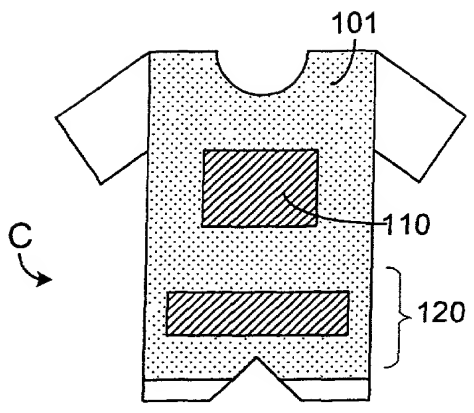


**FIG. 8C**

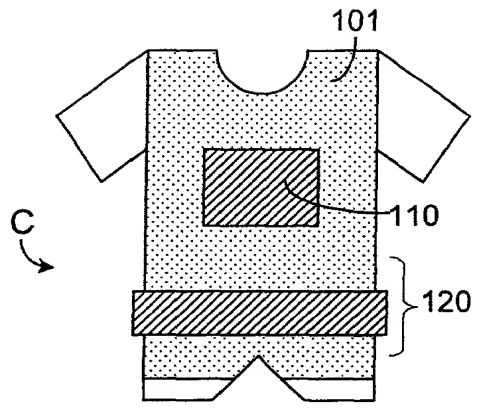


**FIG. 8D**

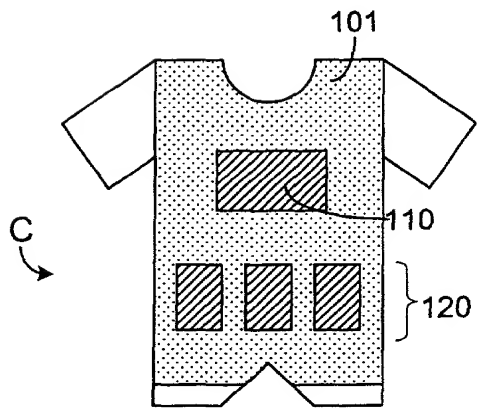
0928309 110700



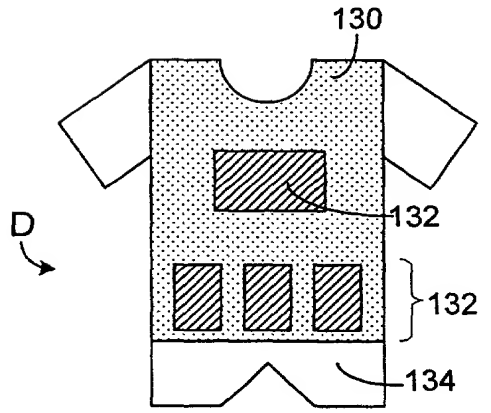
**FIG. 8E**



**FIG. 8F**



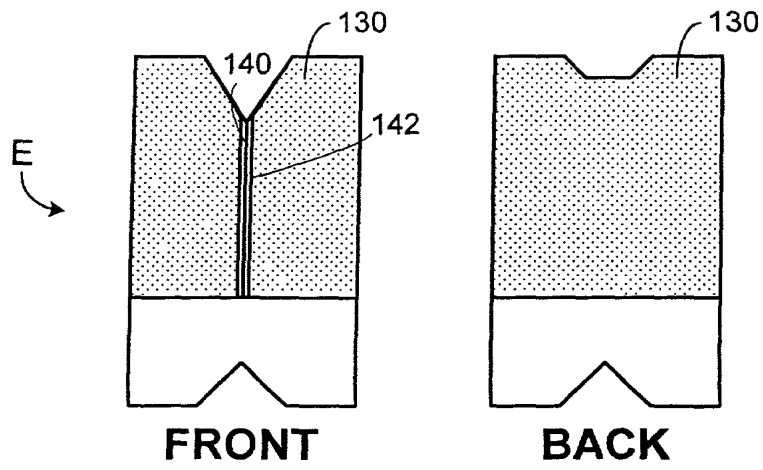
**FIG. 8G**



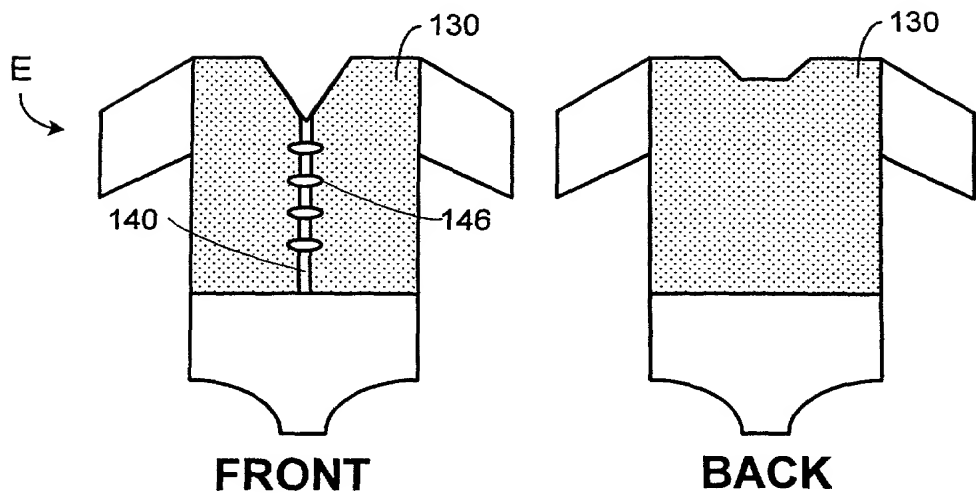
**FIG. 9**



002077 60E80460



**FIG. 10A**



**FIG. 10B**

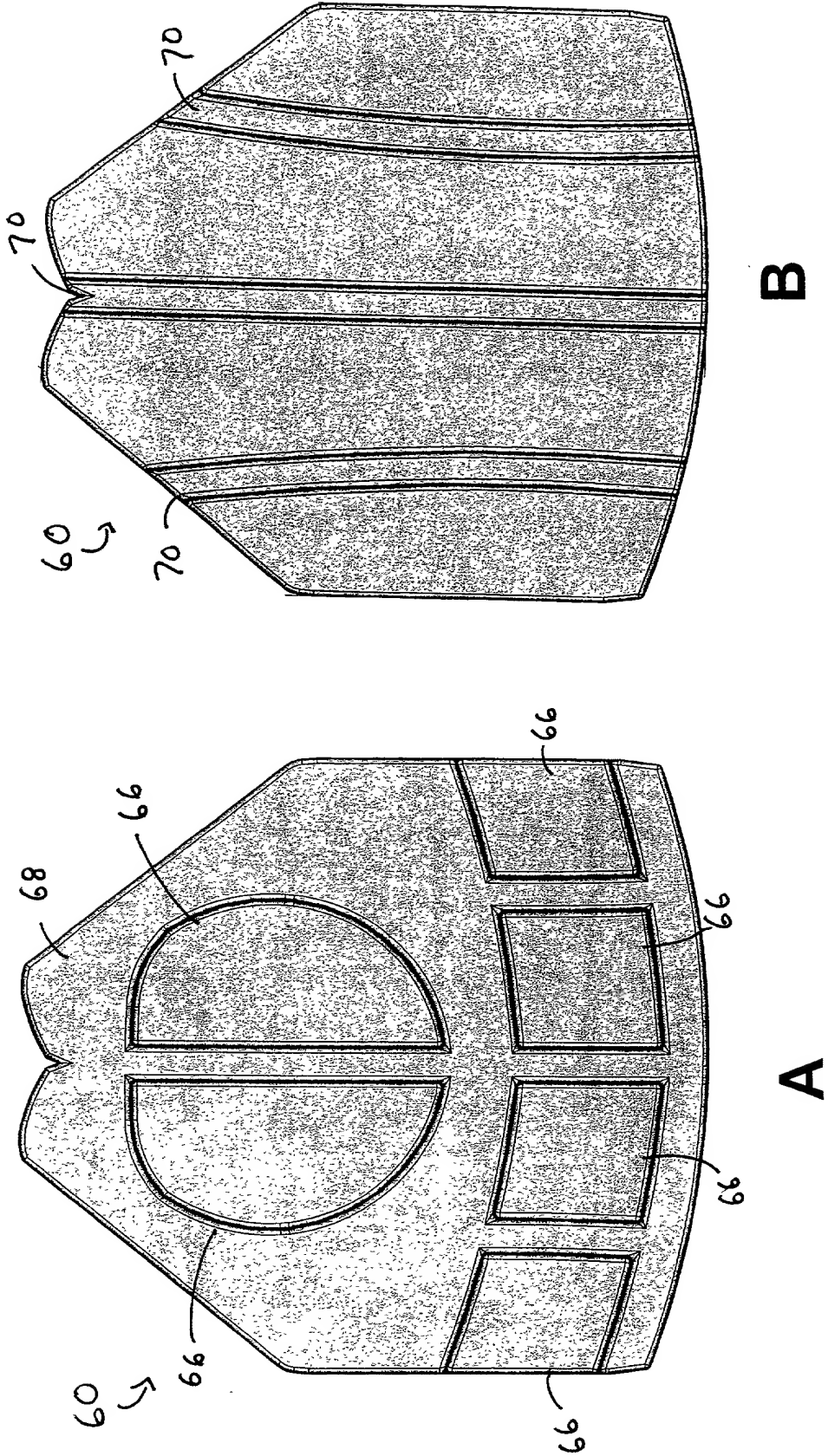


FIG. 12

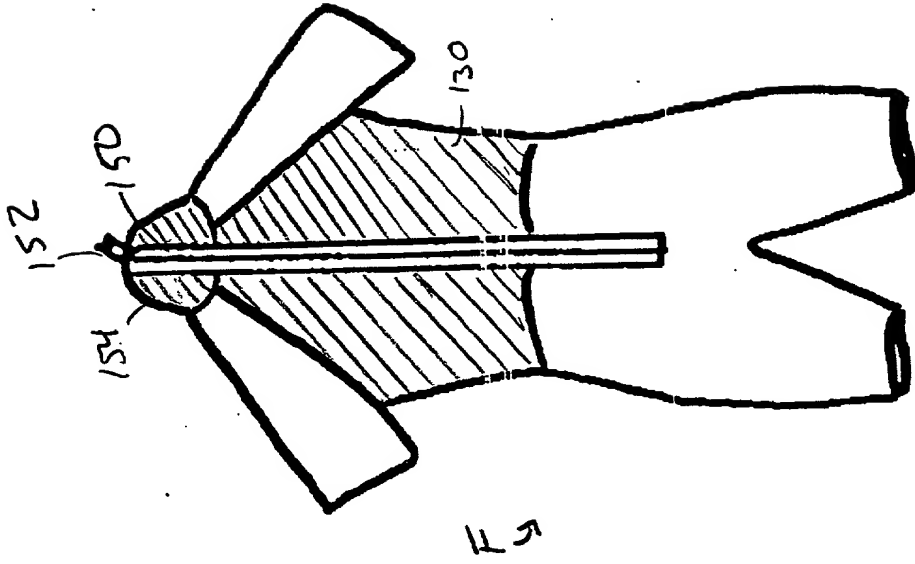


FIG. 11A

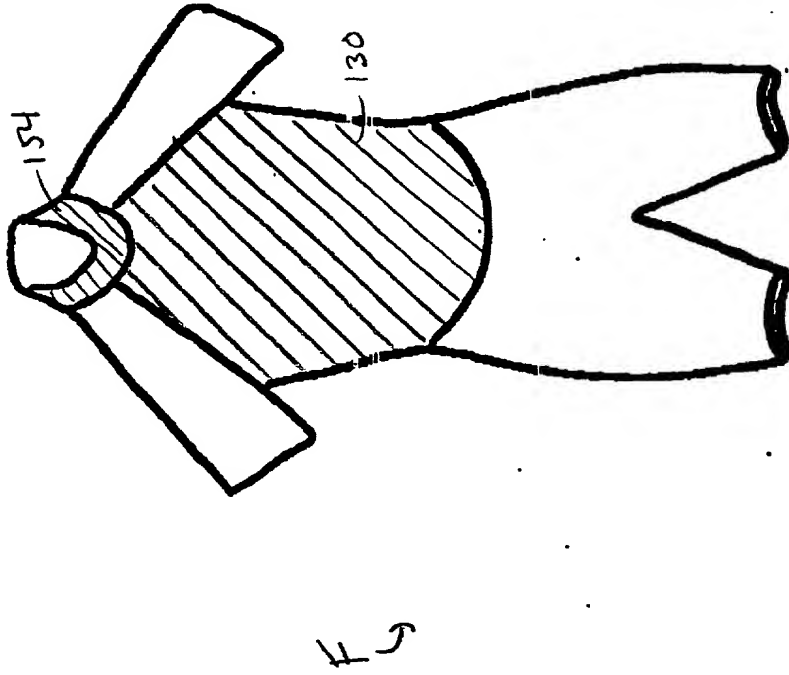


FIG. 11B

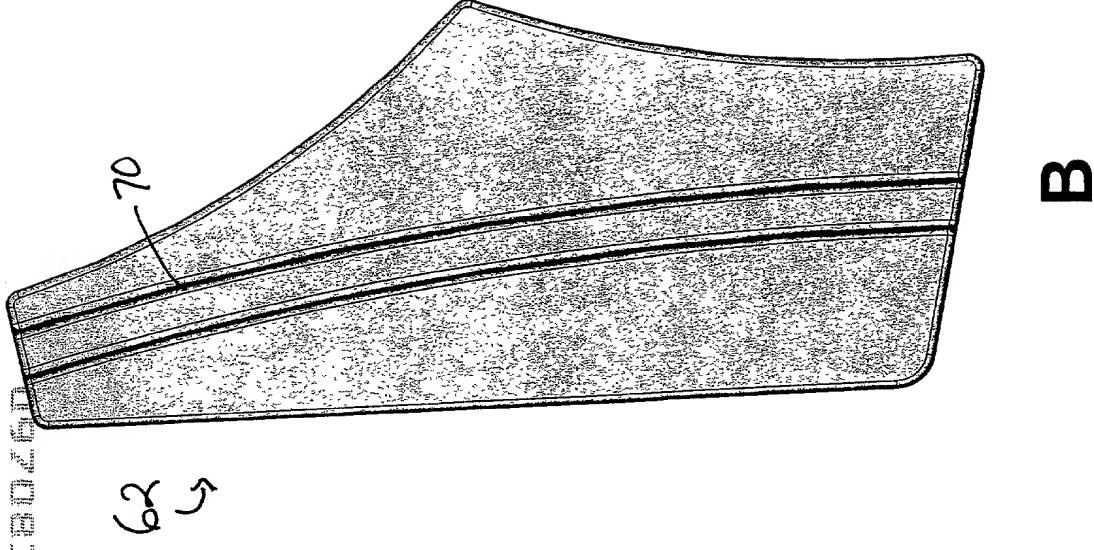
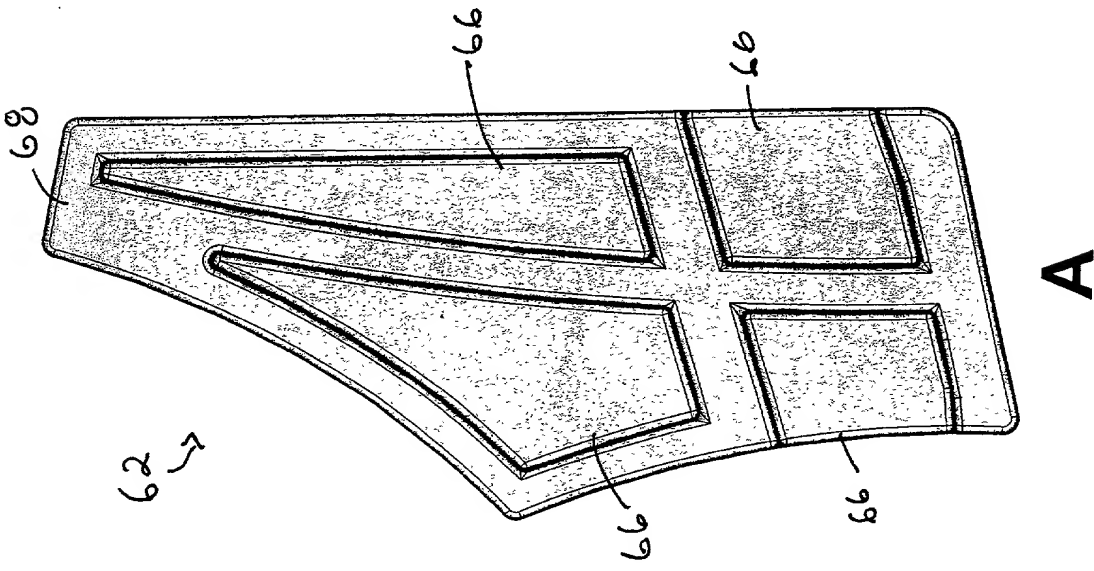


FIG. 13

In Re Application: GILMER, Patti C.  
DECLARATION AND POWER OF ATTORNEY

Attorney's Docket No. FPC3 (6208.TBA)

As a below named inventor, I hereby declare that:

My residence, post office address and citizenship are as stated below next to my name. I believe I am an original, first and joint inventor of the subject matter which is claimed and for which a patent is sought on the invention entitled: **FLOATATION SWIMSUIT AND METHOD FOR CONSTRUCTION THEREOF**, the specification of which:

is attached hereto.

was filed on \_\_\_\_\_ as Application No. \_\_\_\_\_ (if applicable) and was amended on \_\_\_\_\_.

I hereby state that I have reviewed and understand the contents of the above-identified specification, including the claims, as amended by any amendment referred to above. I do not know and do not believe that the same was ever known or used by others in the United States of America before our invention thereof, or patented or described in any printed publication in any country before our invention thereof or more than one year prior to the date of this application. I further state that the invention was not in public use or on sale in the United States of America more than one year prior to the date of this application. I understand that I have a duty of candor and good faith toward the Patent and Trademark Office, and I acknowledge the duty to disclose information which is material to the examination of this application in accordance with Title 37, Code of Federal Regulations, §1.56.

I hereby claim foreign priority benefits under Title 35, United States Code, §119 (a)-(d) of the foreign application(s) for patent or inventor's certificate listed below, and have also identified below any foreign application for patent or inventor's certificate disclosing subject matter in common with the above-identified specification and having a filing date before that of the application on which priority is claimed:

<u>Application No.</u>	<u>Country</u>	<u>Filing Date</u>	<u>Priority Claimed Under 35 USC §119</u>
_____	_____	_____	Yes _____ No _____

I hereby claim the benefit under Title 35, United States Code, § 119(e) of any United States provisional application(s) listed below:

U.S. Provisional Patent Application Serial No. 60/164,305, filed 11/8/1999

I hereby claim the benefit under Title 35, United States Code, §120 of any United States application(s) listed below and, insofar as the subject matter disclosed and claimed in the present application is not disclosed in the prior United States application in the manner provided by the first paragraph of Title 35, United States Code §112, I acknowledge the duty to disclose material information as defined in Title 37, Code of Federal Regulations, §1.56 which became available between the filing date of the prior application and the national or PCT international filing date of this application:

<u>Application Serial No.</u>	<u>Filing Date</u>	<u>Status: patented, pending, abandoned</u>
None	_____	_____

I further declare that all statements made herein of my own knowledge are true and that all statements made on information and belief are believed to be true; and further that these statements were made with the knowledge that willful false statements and the like so made are punishable by fine or imprisonment, or both, under Section 1001 of Title 18 of the United States Code, and that such willful false statements may jeopardize the validity of the application or any patents issuing thereon.

POWER OF ATTORNEY: The following attorneys and/or agents are hereby appointed to prosecute this application and transact all business in the Patent and Trademark Office connected therewith: GERALD R. BOSS, REG. NO. 36,460; R. STEVAN COURSEY, REG. NO. 39,949; TODD DEVEAU, REG. NO. 29,526; JOEL S. GOLDMAN, REG. NO. 29,070; W. BROOK LAFFERTY, REG. NO. 39,259; HAROLD L. MARQUIS, REG. NO. 20,594; RYAN A. SCHMIDDER, REG. NO. 45,083; GREGORY S. SMITH, REG. NO. 40,819; KENNETH SOUTJIAL, REG. NO. 38,315; CHARLES L. WARNER, REG. NO. 32,320; and ROGER S. WILLIAMS, REG. NO. 43,273.

Send correspondence to: **TROUTMAN SANDERS, LLP**  
600 Peachtree Street, N.E., Suite 5200  
Atlanta, Georgia 30308-2216

Direct telephone calls at (404) 885-3290 to:  
Name of attorney Kenneth Southall

Full name of first inventor: Patti C. Gilmer	Citizenship: USA
Inventor's signature <i>Patti C. Gilmer</i>	Date: 11-7-2000
Residence and Post Office Address: 8856 Forrester Rd., Lula, Georgia 30554	